

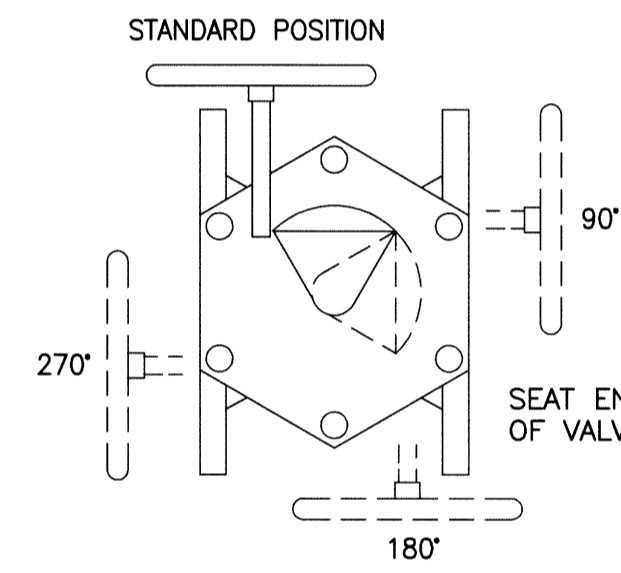
File Name: P:\Projects\2015\15-0107-012\DWG\Mech\15-0107-012_M03.dwg - Tab: M03 Plotted By: dderoche 09/25/2015 [Fri 1:53pm]

PIPE SPOOL LIST

TAG	QTY	SIZE	DESCRIPTION	REFERENCE DETAIL DWG.
1.1	1	300 (12")	CARBON STEEL, FIELD FIT	M09
1.2	1	300 (12")	CARBON STEEL, FIELD FIT	M10
1.3	1	300 (12")	CARBON STEEL, FIELD FIT	M11
1.4	1	200 (8")	CARBON STEEL, FIELD FIT	M12
1.5	1	300 (12")	CARBON STEEL, FIELD FIT	M13
1.6	1	300 (12")	CARBON STEEL, FIELD FIT	M13
1.7	10	300 (12")	DUCTILE IRON FLANGED PIPE, L=5486mm (18'-0")	
1.8	1	300 (12")	DUCTILE IRON FLANGED PIPE, L=4928mm (16'-2")	
1.9	1	300 (12")	DUCTILE IRON FLANGED PIPE, L=5105mm (16'-9")	
1.10	1	300 (12")	DUCTILE IRON FLANGED PIPE, L=4724mm (15'-6")	
1.11	1	300 (12")	DUCTILE IRON FLANGED PIPE, L=3708mm (12'-2")	
1.12	1	200 (8")	DUCTILE IRON FLANGED PIPE, L=1524mm (5'-0")	
1.13	1	200 (8")	DUCTILE IRON FLANGED PIPE, L=610mm (2'-0")	
1.14	1	300 (12")	DUCTILE IRON FLANGED PIPE, L=4928mm (15'-8")	
1.15	1	300 (12")	DUCTILE IRON FLANGED 1/8 BEND (45 DEG.)	
1.16	1	300x200 (12"x8")	DUCTILE IRON FLANGED RED. TEE	
1.17	2	300 (12")	DUCTILE IRON FLANGED 1/4 BEND (90 DEG.) LONG RADIUS	
1.18	2	300x200 (12"x8")	DUCTILE IRON FLANGED ECC REDUCER	
1.19	1	300 (12")	DUCTILE IRON PIPE, FLANGEXPLAIN END, L=1676mm (5'-6")	
2.1	1	300 (12")	CARBON STEEL, FIELD FIT	M9
2.2	1	300 (12")	CARBON STEEL, FIELD FIT	M10
2.3	1	300 (12")	CARBON STEEL, FIELD FIT	M11
2.4	1	200 (8")	CARBON STEEL, FIELD FIT	M12
2.5	1	300 (12")	CARBON STEEL, FIELD FIT	M13
2.6	1	300 (12")	CARBON STEEL, FIELD FIT	M13
2.7	11	300 (12")	DUCTILE IRON FLANGED PIPE, L=5486mm (18'-0")	
2.8	1	300 (12")	DUCTILE IRON FLANGED PIPE, L=3099mm (10'-2")	
2.9	1	300 (12")	DUCTILE IRON FLANGED PIPE, L=4623mm (15'-2")	
2.10	1	300 (12")	DUCTILE IRON FLANGED PIPE, L=4597mm (15'-1")	
2.11	1	300 (12")	DUCTILE IRON FLANGED PIPE, L=3251mm (10'-8")	
2.12	1	200 (8")	DUCTILE IRON FLANGED PIPE, L=1524mm (5'-0")	
2.13	1	200 (8")	DUCTILE IRON FLANGED PIPE, L=610mm (2'-0")	
2.14	1	300 (12")	DUCTILE IRON FLANGED PIPE, L=4851mm (15'-5")	
2.15	1	300 (12")	DUCTILE IRON FLANGED 1/8 BEND (45 DEG.)	
2.16	1	300x200 (12"x8")	DUCTILE IRON FLANGED RED. TEE	
2.17	2	300 (12")	DUCTILE IRON FLANGED 1/4 BEND (90 DEG.) LONG RADIUS	
2.18	2	300x200 (12"x8")	DUCTILE IRON FLANGED ECC REDUCER	
2.19	1	300 (12")	DUCTILE IRON PIPE, FLANGEXPLAIN END, L=1422mm (4'-8")	

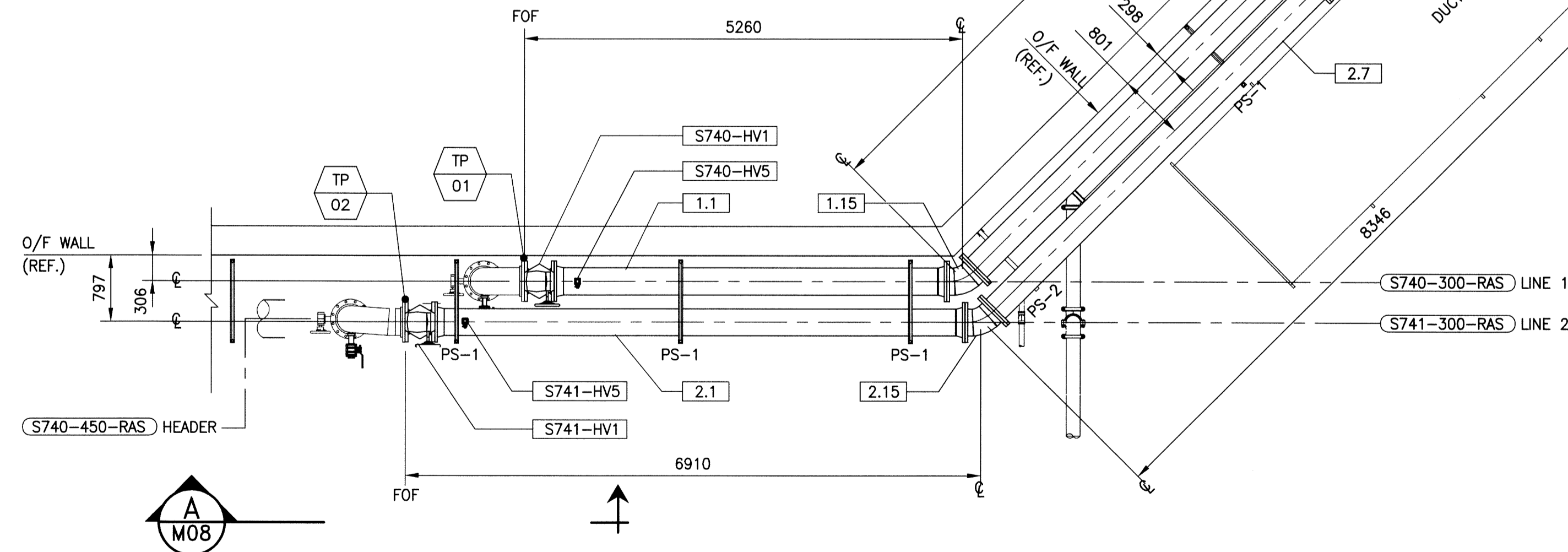
VALVE LIST

TAG	SIZE	TYPE	ACTUATOR POSITION	REMARKS	SUPPLIED BY
S740-FCV	300	BUTTERFLY VALVE W/ PNEUMATIC ACTUATOR, MODULATING		RE-USE EXISTING ACTUATOR	OWNER
S740-HV1	300	ECCENTRIC PLUG W/ HANDWHEEL	STD		OWNER
S740-HV2	300	ECCENTRIC PLUG W/ HANDWHEEL	270°		OWNER
S740-HV3	300	ECCENTRIC PLUG W/ HANDWHEEL	STD		OWNER
S740-HV4	200	ECCENTRIC PLUG W/ CHAINWHEEL	STD		OWNER
S740-HV5	25	BALL VALVE W/ LEVER		VENT VALVE	CONTRACTOR
S740-HV6	50	BALL VALVE W/ LEVER		DRAIN VALVE	CONTRACTOR
S740-HV7	25	BALL VALVE W/ LEVER		VENT VALVE	CONTRACTOR
S741-FCV	300	BUTTERFLY VALVE W/ PNEUMATIC ACTUATOR, MODULATING		RE-USE EXISTING ACTUATOR	OWNER
S741-HV1	300	ECCENTRIC PLUG W/ HANDWHEEL	STD		OWNER
S741-HV2	300	ECCENTRIC PLUG W/ HANDWHEEL	270°		OWNER
S741-HV3	300	ECCENTRIC PLUG W/ HANDWHEEL	STD		OWNER
S741-HV4	200	ECCENTRIC PLUG W/ CHAINWHEEL	180°		OWNER
S741-HV5	25	BALL VALVE W/ LEVER		VENT VALVE	CONTRACTOR
S741-HV6	50	BALL VALVE W/ LEVER		DRAIN VALVE	CONTRACTOR
S741-HV7	25	BALL VALVE W/ LEVER		VENT VALVE	CONTRACTOR



**PLUG VALVE ACTUATOR
DETAIL - MOUNTING POSITIONS**

SCALE: N.T.S.



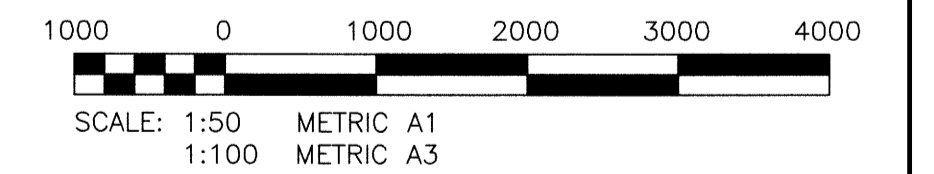
A M02 PART PLAN
SCALE: 1:50

GENERAL NOTES:

1. REFER TO GENERAL NOTES ON DWG. M02.

PIPE SUPPORTS

- PS-1 EXISTING TRAPEZE HANGER
- PS-2 EXISTING KNEE-BRACE
- PS-3 EXISTING FRAME
- PS-4 EXISTING KNEE-BRACE
- PS-5 NEW CLEVIS HANGER, ANVIL FIG. 590, RE-USE EXISTING HANGER ROD.
- PS-6 NEW CLEVIS HANGER ASSEMBLY, ANVIL FIG. 590 WITH NEW ROD AND BEAM ATTACHMENT.
- PS-7 NEW BASE SUPPORT



METRIC

WHOLE NUMBERS INDICATE MILLIMETRES
DECIMALIZED NUMBERS INDICATE METRES



NO.	REVISIONS	DATE	BY
1	RE-ISSUED FOR CONSTRUCTION	15/09/25	JS
0	ISSUED FOR CONSTRUCTION	15/09/17	JS

DESIGNED BY	CHECKED BY	DATE
JS	RED	2015 08 17
DRAWN BY	APPROVED BY	DATE
RP	JS	2015 09 17

ENGINEER'S SEAL

 M03

THE CITY OF WINNIPEG
 WATER AND WASTE DEPARTMENT
 WEWPCC RAS PIPE REPLACEMENT
MECHANICAL
 RAS PIPING - PART PLAN

SHEET 1 OF 3
 CITY DRAWING NUMBER
 1-0103S-M0032-001-01